

ALL-IN-ONE HAIR BRUSH

INSTRUCTION MANUAL

Read all instructions before using and save it.

Model: HB-2012

220-240V ~ 50/60Hz Class II 1200W

IMPORTANT SAFEGUARDS

When using an electrical appliance, basic safety precautions should always be observed, including the following:

1. Check if the voltage indicated on the appliance corresponds to the local voltage before you connect the appliance.
2. This appliance is not intended for use by persons (including children) with reduced physical, sensory or mental capabilities, or lack of experience and knowledge, unless they have been given supervision or instruction concerning use of the appliance by a person responsible for their safety.
Children should be supervised to ensure that they do not play with the appliance.
3. WARNING – Do not use this appliance near water or bathtubs, basins or other vessels.
4. When the hair dryer is used in a bathroom, unplug the appliance after use since the proximity of water presents a hazard, even when the hairdryer is switched off.
5. For additional protection, we advise you to install a residual current device (RCD) with a rated residual operating current not exceeding 30mA in the electrical circuit supplying the bathroom. Ask your installer for advice.
6. Close supervision is necessary when any appliance is used on or near children or some disabled people. Store out of children's reach.
7. Never block the air grilles.
8. If the appliance overheats, it will switch off automatically. Unplug the appliance and let it cool down for a few minutes. Before you switch the appliance on again, check the grilles to make sure they are not blocked by fluff, hair, etc.
9. Do not direct the airflow towards the eyes or other sensitive areas.
10. Neither should the appliance be used with wet hands nor immersed in water, held in running water, or allowed to become wet.
11. Do not use the hair dryer for purposes other than drying and styling human hair.
12. Do not pull the cord with unnecessary force. Do not wrap the cord around the unit.
Check cord regularly for any sign of damage. Damaged cords can be dangerous.
13. If the supply cord is damaged, it must be replaced by the manufacturer or its service agent or a similarly qualified person in order to avoid a hazard.
14. Always switch the appliance off before putting it down, even if it is only for a moment.
15. Always unplug the appliance after use.
16. Clean the appliance after use to avoid the accumulation of grease and other residues.

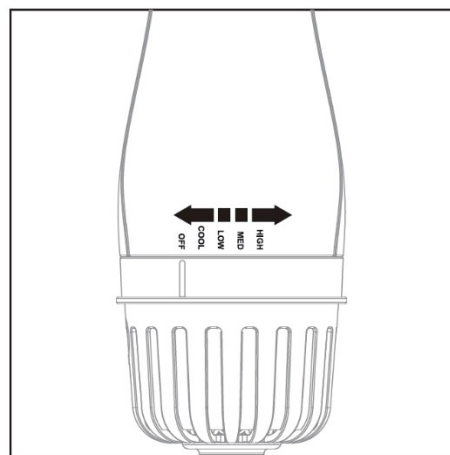
17. This appliance can be used by children aged from 8 years and above and persons with reduced physical, sensory, or mental capabilities or lack of experience and knowledge if they have been given supervision or instruction concerning use of the appliance in a safe way and understand the hazards involved. Children shall not play with the appliance. Cleaning and user maintenance shall not be made by children without supervision.

HOW TO OPERATE UNIT

1. Put the plug in the socket.
2. To turn the appliance on, place fingers around the temperature control dial and rotate counterclockwise to the desired setting.

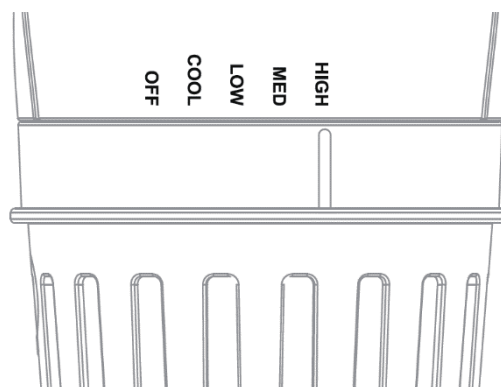
IMPORTANT NOTICE

This unique appliance uses a concentrated steam of hot air to dry your hair. Though it uses lower wattage than typical with most hair dryers, you may notice that the enclosure around the head of the brush may become very hot to the touch. Please be assured that this is consistent with normal operation of the appliance. Use caution when handling the appliance near the brush head.

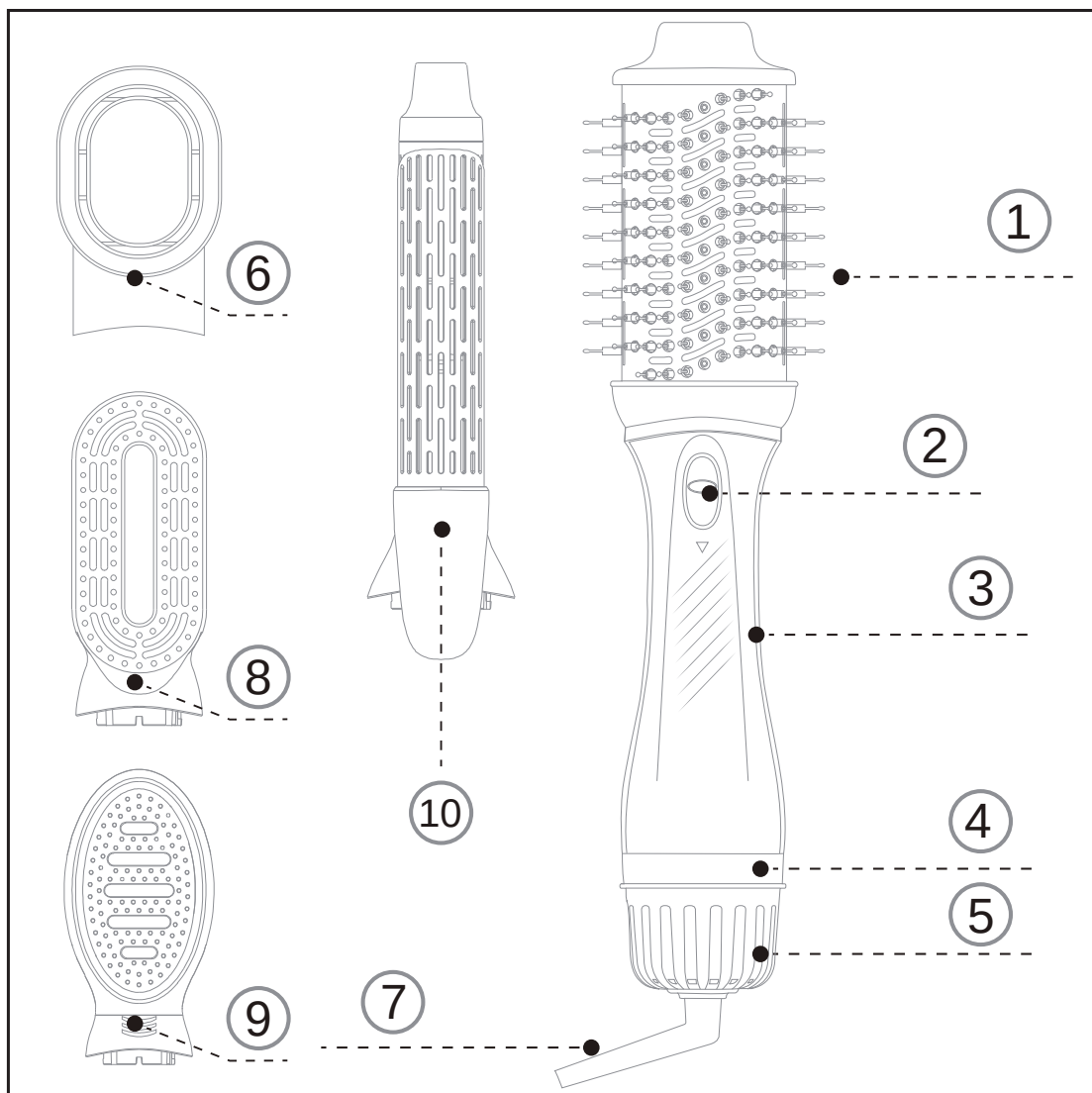


INSTRUCTION FOR SWITCH

- OFF: appliance off
- COOL: cool wind
- LOW : low wind & low heating
- MED : high wind & low heating
- HIGH : high wind & high heating



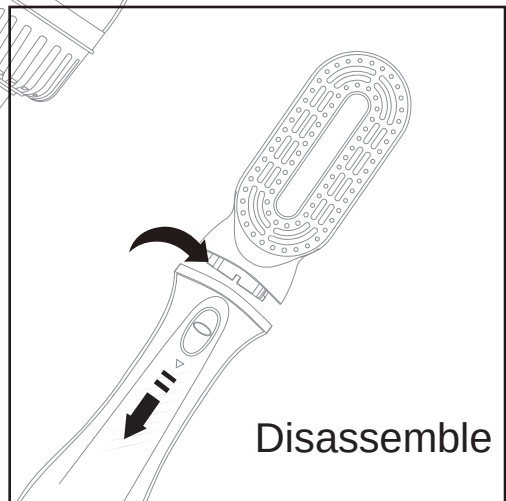
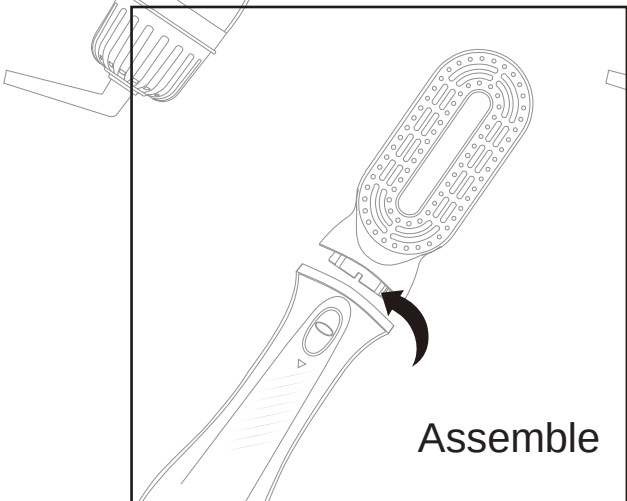
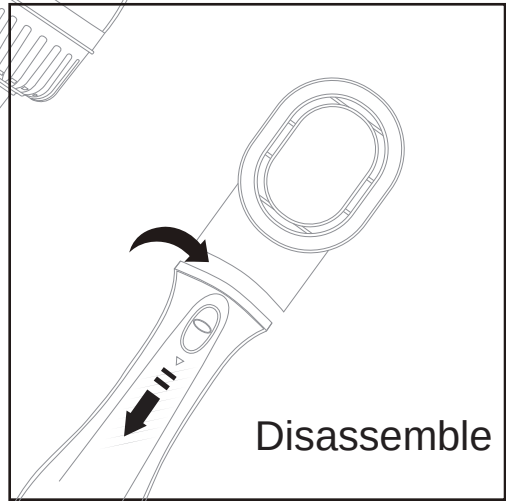
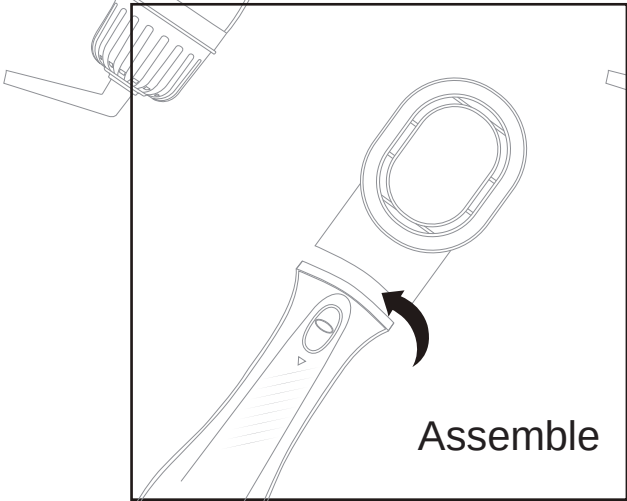
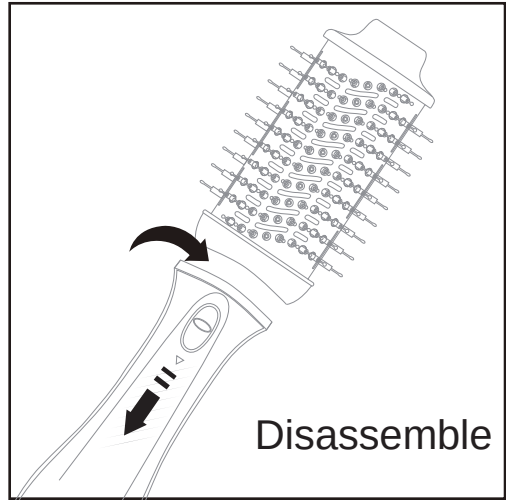
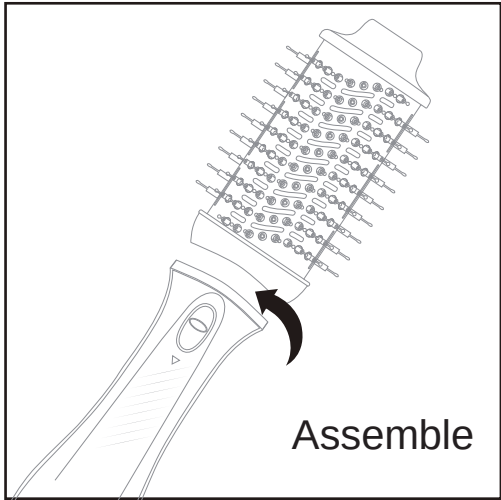
PARTS DESCRIPTION

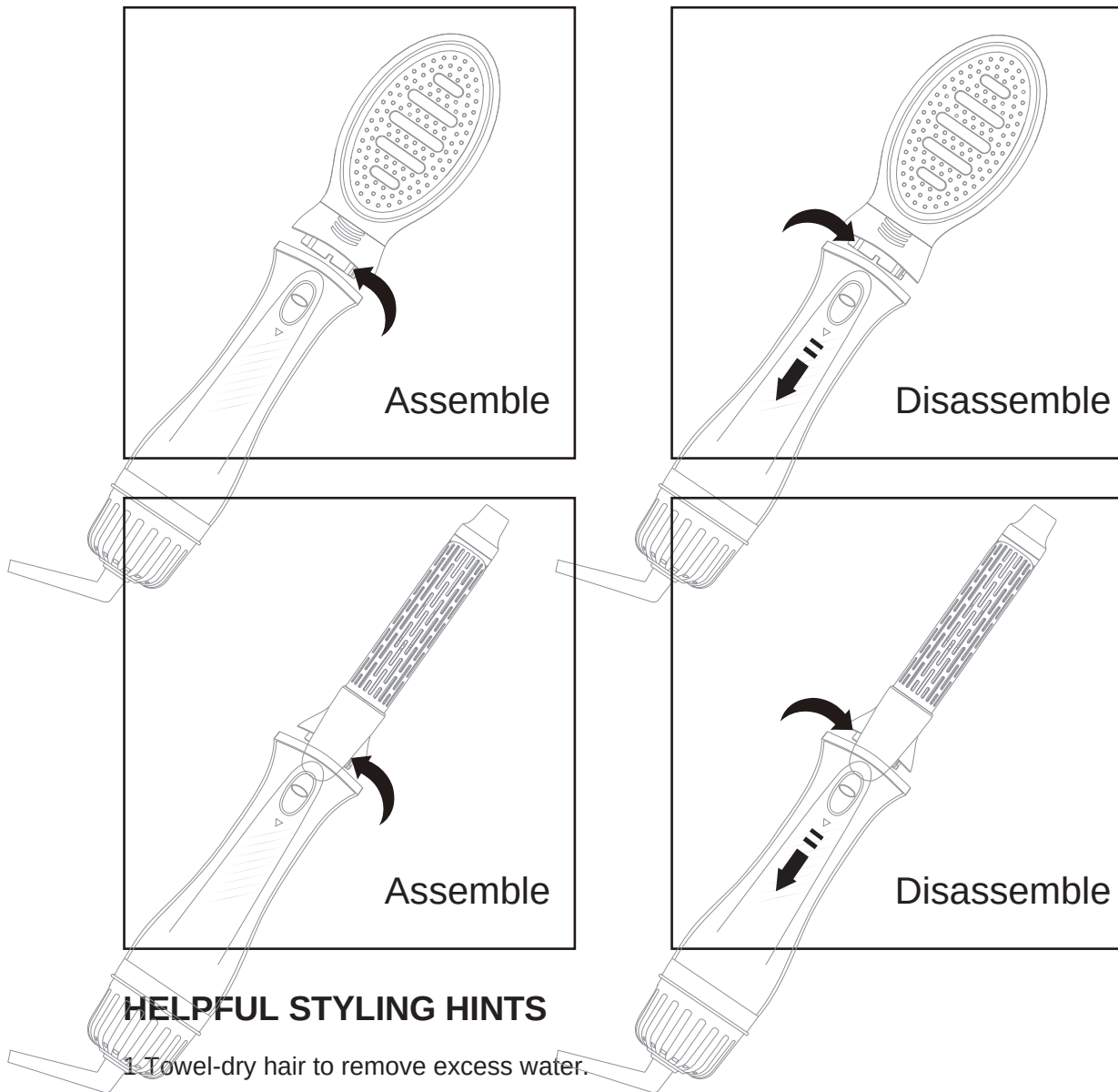


1. Hair Brush Head
2. Head Released Button
3. Main Body
4. Rotative Power Switch
5. Back Filter Cover
6. Concentrator Head
7. 360° Swivel Cord Protector
8. Hollow brush head
9. Straightener brush head
10. Hair curler head

ASSEMBLE & DISASSEMBLE THE ATTACHMENT

- **Assemble:** Match the triangle mark and lock-open mark. Insert the attachment to the main unit vertically. Turn around the attachment as the below picture and let the triangle mark be matched with the locked mark.
- **Disassemble:** Pull down the released button and turn around the attachment as the below picture. And then you can take out the attachment from the main unit directly.





HELPFUL STYLING HINTS

1. Towel-dry hair to remove excess water.
2. Plug the appliance into an electrical outlet and adjust the switch into the selected setting. Use the medium setting on fine for thin hair and high settings on thick and coarse hair. Use the low setting to lock the style. For the best results, separate hair into manageable sections and dry individually.
3. Place the one step hair brush close to the root and glide down towards the ends. The soft-cushioned bristles will help to detangle and smooth even the hard-to-reach areas on the back of the head.
4. Repeat on remaining sections until hair has been dried into luxurious, soft, silky styles.
5. Turn the appliance off when dry and styling complete. allow the unit to cool completely before storing.

USER MAINTENANCE INSTRUCTIONS

This appliance is equipped with a thermostat that may cycle OFF if the temperature exceeds comfort level due to the partially blocked air inlet or air outlet openings. In the event that the appliance slows down during use, turn off the switch and allow the appliance

to cool down, at which time the thermostat will automatically reset.

MAINTENANCE

Your appliance is virtually maintenance-free. No lubrication is needed. Keep all vents and openings clean and free of dust, dirt, and hair spray. If the cord becomes twisted, untwist prior to use.

CLEANING INSTRUCTIONS

If cleaning becomes necessary, unplug the appliance from the power source and wipe the exterior with a damp cloth. Dust and lint can be removed from air intake openings with a small brush.

WARNING: If any malfunction occurs, do not attempt to repair it. This appliance has no user-serviceable parts.

CAUTION

NEVER wrap the power cord around the appliance. Any pulling, twisting, severe folding or bending can damage the cord, especially at the point of entry into the unit, which may rupture the cord and can cause an electrical short or other failure.


Regularly inspect the cord, **DO NOT** use an appliance with a twisted, bent or otherwise damaged cord, or if the appliance receives power irregularly. If cord is damaged, or for irregular power issues, refer to instructions in the WARNING section further below.

STORAGE

Unplug appliance when not in use.

Allow appliance to cool and store out of reach of children in a safe, dry location. Never wrap the cord around the appliance since this will cause the cord to wear prematurely and break. Handle cord carefully for longer life and avoid jerking, twisting, or straining, especially at plug connections.

Appliance should be disconnected and allowed to cool before storage. **DO NOT** apply stress or tension to the cord's point of entry into the unit. During storage, cord should remain loose with no tight bends or folds, and appliance should be placed in a secure, dry location out of reach of children. For further details, refer to the STORAGE section of the operating instructions.

Correct Disposal of this product	
	This marking indicates that this product should not be disposed with other household wastes throughout the EU. To prevent possible harm to the environment or human health from uncontrolled waste disposal, recycle it responsibly to promote the sustainable reuse of material resources. To return your used device, please use the return and collection systems or contact the retailer where the product was purchased. They can take this product for environmental safe recycling.